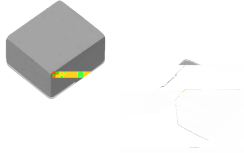


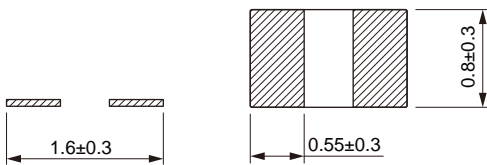
MDTE Series

Wire Wound Molded SMD Power Inductors

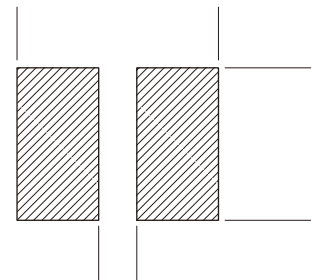
Size 160808



Dimensions: [mm]



Land Pattern: [mm]



Electrical Properties:

Part No	Inductance @ 1MHz/1V (μH)	Tolerance	Satura on Current Typ. (A)	Satura on Current Max. (A)	Temperature Rise Current Typ. (A)	Temperature Rise Current Max. (A)	DC Resistance Max. (m)
MDTE160808-R22M	0.22	±20%	5.5	5.0	3.4	3.0	40
MDTE160808-R47M	0.47	±20%	4.7	4.2	2.8	2.5	100
MDTE160808-R56M	0.56	±20%	4.1	3.6	2.4	2.2	110
MDTE160808-R68M	0.68	±20%	3.3	3.0	2.2	2.0	138
MDTE160808-1R0M	1.00	±20%	3.0	2.6	2.1	1.8	200

Saturation Current will cause L to drop approximately 30%

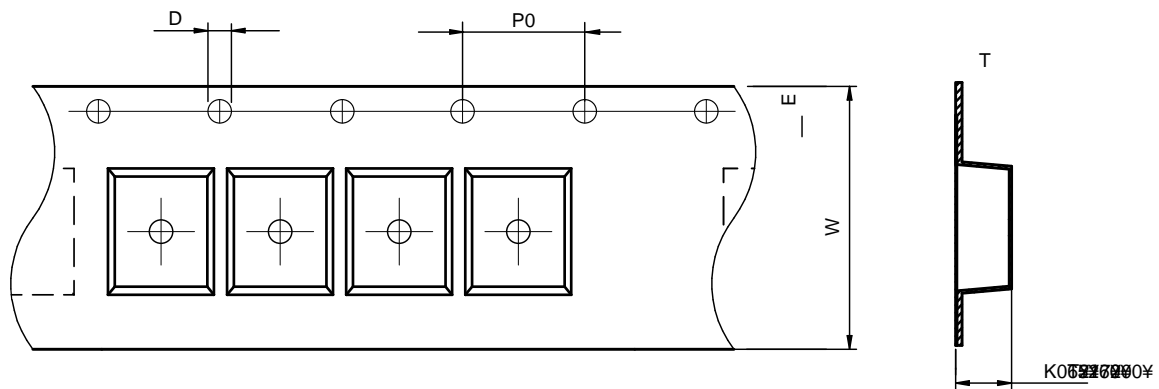
Temperature Rise Current: The actual value of DC current when the temperature rise is $\Delta T=40^{\circ}\text{C}$

Typical Electrical Characteristics:

Soldering Reflow:

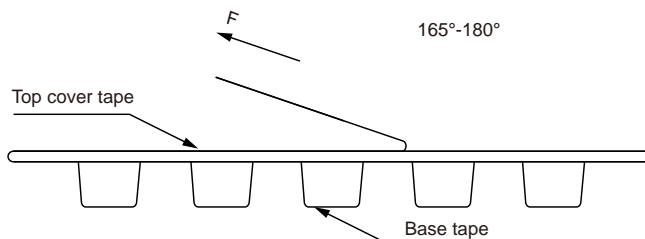
Packaging Information:

Tape Dimension:



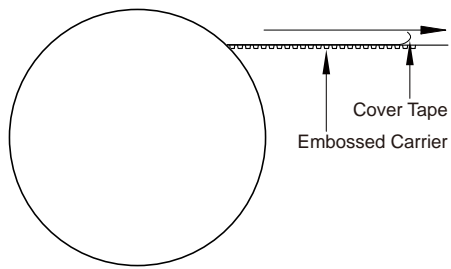
Series	A0 (mm)	B0 (mm)	D (mm)	P0 (mm)	P1 (mm)	W (mm)	K0 (mm)	E (mm)	T (mm)
MDTE160808	1.1 ± 0.1	1.9 ± 0.1	1.5 ± 0.1	4.0 ± 0.1	4.0 ± 0.1	8.0 ± 0.1	1.0 ± 0.1	1.75 ± 0.1	0.25 ± 0.05

Peel force of top cover tape:



The peel force of top cover tape shall be between 0.1 to 0.98 N

Reel Dimension: [mm]



Packaging Quantity: